

BRAND NEW & VERIFIED



VERIFIED PRODUCT DATASHEET

C1121-4P

Cisco Network Hardware Specification, Availability and Quote Reference

Product Model	C1121-4P
Document Type	Product Datasheet
Condition	Brand New, Original and Verifieded
Supplier	Layer23-Switch.com

200+ Countries Sold	18,000+ Customers Trusted	\$20M Inventory Available	1-Year Warranty Support
-------------------------------	-------------------------------------	-------------------------------------	-----------------------------------

Need Price or Availability?

View product details, check stock, or request a fast quotation from Layer23-Switch.

[View Product Page & Request a Quote](#)

C1121-4P Datasheet

The Cisco C1121-4P datasheet provides verified specifications, key features, and application scenarios. This document helps engineers and IT buyers quickly evaluate the C1121-4P and integrate it into enterprise or service provider networks with confidence.

[Read More](#) | [Quote](#)



Key Features

High-Performance Multicore Architecture

Enhanced Throughput. The C1120 series, including the C1121-4P, utilizes a robust multi-core processor architecture. This delivers higher encrypted throughput and data plane performance compared to the entry-level C1110 models, ensuring smooth operation for bandwidth-intensive cloud applications and SD-WAN services in busy small offices.

Integrated PoE Capability

Simplified Cabling. With a 66W PoE power budget, this router can drive power to connected devices directly through the LAN ports. It supports both 802.3af (PoE) and 802.3at (PoE+), enabling you to power and connect IP phones, security cameras, or a wireless access point without needing extra power bricks or a separate switch.

Cisco SD-WAN Ready

Intelligent Cloud Edge. Fully compatible with Cisco SD-WAN (vManage), this router allows for automated provisioning, application-aware routing, and centralized management. It optimizes traffic flow for SaaS applications like Office 365 and Salesforce, ensuring the best user experience regardless of the underlying transport link.

Enterprise-Grade Security

Trustworthy Systems. Features Cisco's integrated security stack, including secure boot, hardware anchoring, and image signing. It supports advanced threat defense capabilities such as enterprise firewalling, IPS, and Encrypted Traffic Analytics (ETA) to protect the branch edge from sophisticated cyber threats.

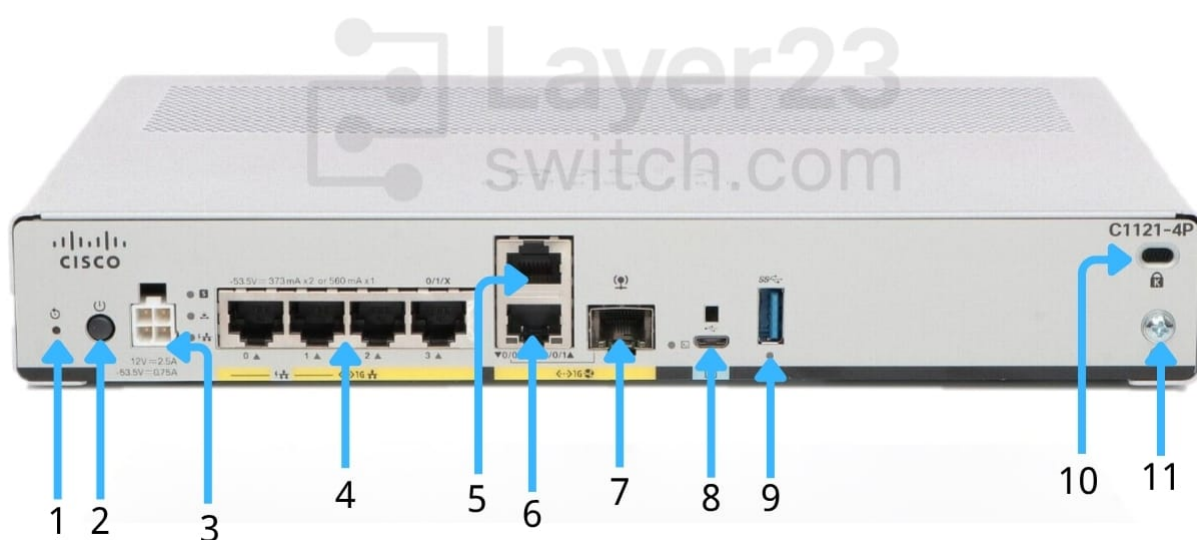
Fanless Silent Operation

Discreet Deployment. Designed with a passive cooling system, the C1121-4P operates completely silently. This makes it an excellent choice for deployment in noise-sensitive environments such as retail counters, medical clinics, or employee home offices where fan noise would be disruptive.

IOS XE Software

Unified Management. Runs the same IOS XE software found on larger Catalyst 8000 and ASR routers. This ensures feature consistency, operational simplicity, and support for open APIs (NETCONF/YANG), allowing IT teams to apply standardized policies and automation scripts across the entire network.

C1121-4P Rear Panel



1	Reset button	2	Power switch
3	4-pin power connector	4	Ethernet switch
5	RJ-45 stacked connector	6	GE WAN 0/0/0 -RJ45
7	GE WAN 0/0/0 -SFP	8	Micro-USB console
9	USB 3.0	10	Kensington lock slot
11	Grounding		

Specification

Parameter	Details	Parameter	Details
Model SKU	C1121-4P	Series Family	Cisco ISR 1100 Series
WAN Interfaces	1 x GE, 1 x GE/SFP Combo	LAN Interfaces	4 x 10/100/1000 GE
PoE Capability	2x PoE or 1x PoE+ supported	PoE Power Budget	66W (with 115W PSU)
DRAM Memory	4 GB	Flash Memory	4 GB
Console Port	1 x RJ-45, 1 x Micro-USB	USB Port	1 x USB 3.0 Type A
Operating System	Cisco IOS XE	Processor	Multi-core architecture
SD-WAN Support	Yes	Bundled License	IP Base (Upgradable)
IPSec Throughput	High Performance (C1120 Platform)	VLANs	Supports 802.1Q VLANs
Power Supply	External AC Adapter (115W for PoE)	AC Input Voltage	100 to 240 VAC
Dimensions (H x W x D)	1.65 x 12.7 x 9.03 in	Weight	3.4 lb (1.55 kg)
Fan Status	Fanless (0 dB noise)	Operating Temperature	32°F to 104°F (0°C to 40°C)
Operating Humidity	5% to 95% non-condensing	MTBF	680,590 Hours
Safety Certifications	UL 60950-1, CAN/CSA C22.2	EMC Certifications	FCC Part 15 Class A, EN 55032

Want to Buy

[Order Now](#) [Get a Quote](#)

Why Layer23-Switch.com

As a leading network hardware supplier, Layer23-Switch.com focuses on original new ICT equipment of Cisco, H3C, Juniper, etc.

200+ Countries we Sold
18,000+ Customers Trusted
\$20,000,000 Inventory Available
50%-98% Off Global List Price
100% Safe Online Shopping

Contact Us

- WhatsApp: [+8617181189993](https://wa.me/8617181189993)
- Wechat: [layer23-switch](#)
- Telegram: [layer23_switch](#)
- Email: sales@layer23-switch.com

Need Price and Availability for C1121-4P?

View product details, request a quote, or check current stock from Layer23-Switch.

[View Product Details & Request a Quote](#)