

BRAND NEW & VERIFIED



VERIFIED PRODUCT DATASHEET

C1121-4PLTEP

Cisco Network Hardware Specification, Availability and Quote Reference

Product Model	C1121-4PLTEP
Document Type	Product Datasheet
Condition	Brand New, Original and Verifieded
Supplier	Layer23-Switch.com

200+ Countries Sold	18,000+ Customers Trusted	\$20M Inventory Available	1-Year Warranty Support
-------------------------------	-------------------------------------	-------------------------------------	-----------------------------------

Need Price or Availability?

View product details, check stock, or request a fast quotation from Layer23-Switch.

[View Product Page & Request a Quote](#)

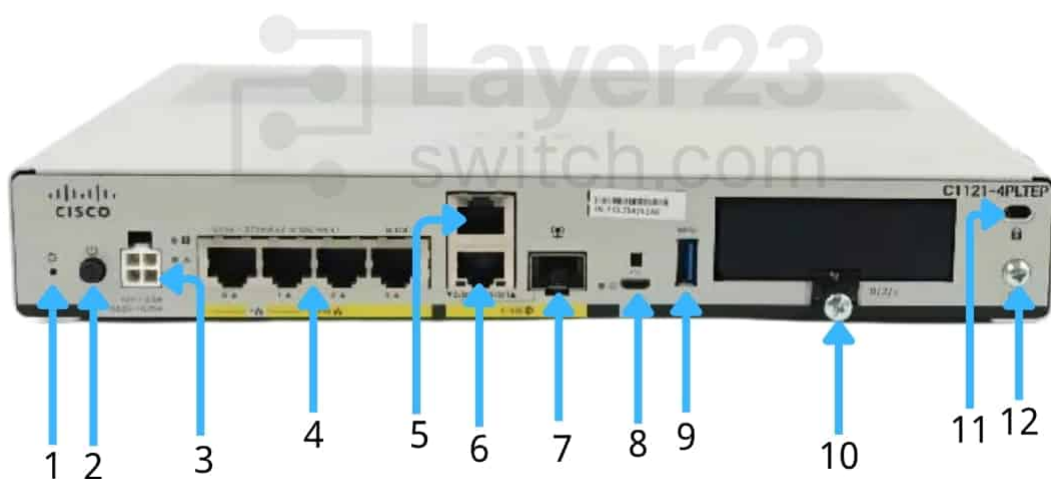
C1121-4PLTEP Datasheet

The Cisco C1121-4PLTEP datasheet provides verified specifications, key features, and application scenarios. This document helps engineers and IT buyers quickly evaluate the C1121-4PLTEP and integrate it into enterprise or service provider networks with confidence.

[Read More](#) | [Quote](#)



C1121-4PLTEP Rear Panel



1	Reset button	2	Power switch
---	--------------	---	--------------

3	4-pin power connector	4	Ethernet switch
5	GE 0/0/1	6	GE WAN 0/0/0 -RJ45
7	GE WAN 0/0/0 -SFP	8	Micro-USB console
9	USB 3.0	10	Pluggable
11	Kensington lock slot	12	Grounding

Key Features

Integrated LTE for Always-On Connectivity

Built-in support for pluggable LTE modules (CAT4, CAT6, and CAT18) ensures reliable WAN access, making it ideal for primary or backup Internet connections in branch deployments.

Enterprise-Grade Security and Performance

Delivers up to 370 Mbps IPsec VPN throughput, supporting secure branch networking with advanced firewall, QoS, and segmentation features on Cisco IOS XE.

Dual WAN Interfaces with Flexibility

Equipped with 2 Gigabit WAN ports (RJ-45 + combo SFP) for wired and fiber connectivity, ensuring WAN redundancy and flexibility in hybrid network environments.

PoE-Enabled for Edge Devices

Optional 115W AC power supply supports 2 PoE or 1 PoE+ ports, allowing direct powering of IP phones, cameras, and wireless access points without additional equipment.

SD-WAN Ready for Simplified Branch Management

Native Cisco SD-WAN support enables centralized orchestration, dynamic path selection, and cloud optimization, reducing operational complexity for distributed enterprises.

Compact, Reliable, and Future-Proof Design

A space-saving chassis (1.65 × 10.80 × 7.85 in) designed for SMBs and branch offices, with modular LTE support ensuring long-term adaptability and investment protection.

Specification

Parameter	Details
Product Model	C1121-4PLTEP
Series	Cisco ISR 1000 Series
LAN Ports	4 × Gigabit Ethernet (RJ-45)
WAN Ports	2 × Gigabit Ethernet (1 RJ-45 + 1 combo SFP)

Parameter	Details
LTE Support	Pluggable LTE module (CAT4, CAT6, CAT7, CAT18 options)
Performance	370 Mbps IPsec throughput (IMIX)
SD-WAN IPsec Throughput	338 Mbps (IMIX)
Console Ports	Micro-USB
DRAM / Flash	4 GB / 4 GB
Dimensions (H x W x D)	1.65 x 10.80 x 7.85 in
Weight	3.70 lb (1.68 kg)
Operating Temperature	0° to 40°C
Power Supply	115W AC (required for PoE); 66W standard option
PoE Support	Optional 2 x PoE or 1 x PoE+
Minimum IOS XE Version	17.2.1
Compliance	UL, EN, IEC, FCC Class B

Want to Buy

[Order Now](#) [Get a Quote](#)

Why Layer23-Switch.com

As a leading network hardware supplier, Layer23-Switch.com focuses on original new ICT equipment of Cisco, H3C, Juniper, etc.

200+ Countries we Sold **18,000+** Customers Trusted **\$20,000,000** Inventory Available **50%-98%** Off Global List Price **100%** Safe Online Shopping

Contact Us

- WhatsApp: [+8617181189993](https://wa.me/+8617181189993)
- Wechat: [layer23-switch](https://www.wechat.com/p/layer23-switch)
- Telegram: [layer23_switch](https://t.me/layer23_switch)
- Email: sales@layer23-switch.com

Need Price and Availability for C1121-4PLTEP?

View product details, request a quote, or check current stock from Layer23-Switch.

[View Product Details & Request a Quote](#)