

BRAND NEW & VERIFIED



VERIFIED PRODUCT DATASHEET

FPR3110-ASA-K9

Cisco Network Hardware Specification, Availability and Quote Reference

Product Model	FPR3110-ASA-K9
Document Type	Product Datasheet
Condition	Brand New, Original and Verified
Supplier	Layer23-Switch.com

200+ Countries Sold	18,000+ Customers Trusted	\$20M Inventory Available	1-Year Warranty Support
-------------------------------	-------------------------------------	-------------------------------------	-----------------------------------

Need Price or Availability?

View product details, check stock, or request a fast quotation from Layer23-Switch.

[View Product Page & Request a Quote](#)



FPR3110-ASA-K9 Datasheet



The Cisco FPR3110-ASA-K9 datasheet provides verified specifications, key features, and application scenarios. This document helps engineers and IT buyers quickly evaluate the FPR3110-ASA-K9 and integrate it into enterprise or service provider networks with confidence.

[Read More](#) | [Quote](#)

Key Features

High-Performance ASA Firewall

The Cisco FPR3110-ASA-K9, also called the **Secure Firewall 3110 ASA appliance**, delivers **45 Gbps stateful firewall throughput** (25 Gbps multiprotocol), providing reliable enterprise perimeter protection.

Scalable Connection Handling

Supports **6 million concurrent sessions** and **200,000 new connections per second**, ensuring consistent performance in large-scale networks.

High Availability & Clustering

Offers **Active/Active and Active/Standby HA**, plus **clustering for up to 8 appliances**, ensuring continuous uptime and scalability.

Robust VPN Services

Provides **8.5 Gbps IPsec VPN throughput** and up to **10,000 VPN peers**, enabling secure global branch interconnects and remote access.

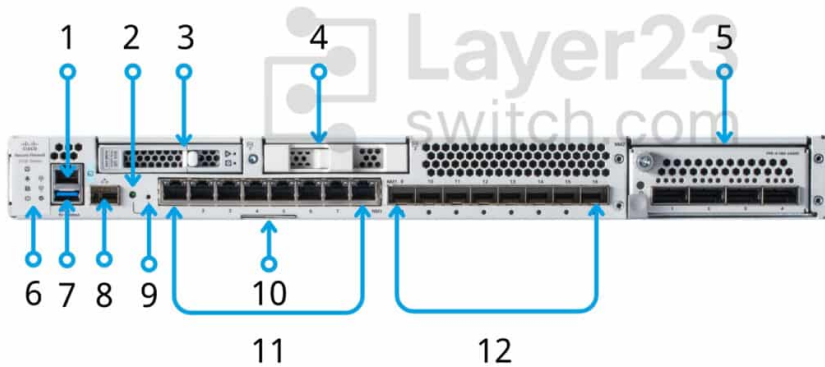
Multi-Context Segmentation

Ships with **2 security contexts (expandable to 100)**, making it suitable for enterprises or MSSPs that need tenant or departmental separation.

Flexible Management

Local control with **Cisco ASDM**, and centralized orchestration with **Cisco Security Manager** or **Cisco Defense Orchestrator (CDO)** for multi-site deployments.

Front View

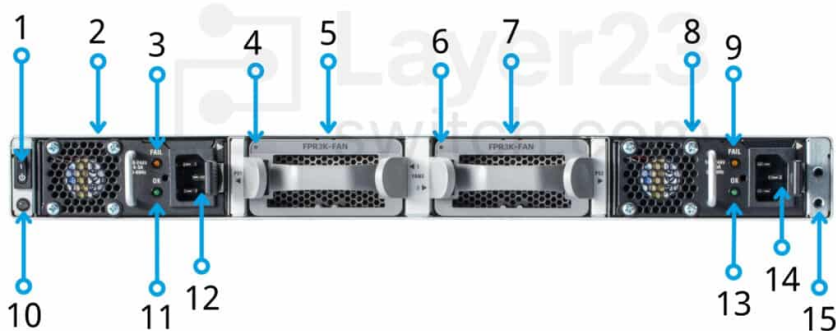


1	RJ-45 console port	2	Recessed factory reset button
3	SSD-1	4	SSD-2
5	Network module (NM-2)	6	System LEDs
7	Type A USB 3.1 port	8	Gigabit Ethernet management port:Secure Firewall Threat Defense—Management 0 (also referred to as Management 1/1 and Diagnostic 1/1)ASA—Management 1/1
9	Reset button LED	10	Pullout asset card with chassis serial number, getting started guide QR code, and LTP QR code

11 Eight fixed RJ-45 ports (NM-1)RJ-45 ports named Ethernet 1/1 through 1/8 left to right; for a list of supported SFPs.	12 Eight fixed SFP+ ports (NM-1)SFP+ ports named Ethernet 1/9 through 1/16 left to right; for a list of supported SFPs.
---	--

Rear View

1 Power on/off switch	2 Power supply module (PSU-1)
3 Power supply module FAIL LED (PSU-1)	4 Fan module LED (FAN-1)
5 Fan module (FAN-1)	6 Fan module LED (FAN-2)
7 Fan module (FAN-2)	8 Power supply module (PSU-2)
9 Power supply module FAIL LED (PSU-2)	10 Chassis power LED Note This power LED has the same behavior as the front panel LED. See Front Panel LEDs for more information.
11 Power supply module OK LED (PSU-1)	12 Power supply module connector (PSU-1)
13 Power supply module OK LED (PSU-2)	14 Power supply module connector (PSU-2)
15 Two-post grounding pad Note The two-post grounding lug and two screws are included in the accessory kit.	—



Specification

Parameter	Specification	Parameter	Specification
Form Factor	1RU	Dimensions (H×W×D)	1.75 × 17 × 20 in (4.4 × 43.3 × 50.8 cm)
Integrated Interfaces	8 × 1G RJ-45, 8 × 1/10G SFP+	Optional Module	8 × 1/10G NM
Max Interfaces	Up to 24 ports	Mgmt Port	1 × 1/10G SFP
Console	RJ-45	USB	1 × USB 3.0 Type-A
Storage	1 × 900 GB SSD (1 spare slot)	Weight	23 lb (10.5 kg)
ASA Stateful FW	45 Gbps	ASA Multiprotocol FW	25 Gbps
ASA New Connections/s	200,000	ASA Concurrent Sessions	6.0 million
ASA IPsec VPN Throughput	8.5 Gbps	ASA Max VPN Peers	10,000
ASA Security Contexts	2 included; up to 100	ASA High Availability	Active/Active & Active/Standby
Clustering	Supported, up to 8 chassis	Management	ASDM local; CSM / CDO central
Power Supply	400W AC (dual optional)	DC Power	Optional dual 400W DC
AC Input	100–240V AC; <6A @ 100V	Efficiency	>89% @ 50% load
Fans	2 hot-swappable modules	Noise	65–74 dBA
Operating Temp	0–40°C (32–104°F)	Operating Humidity	10–85% non-condensing

Want to Buy

[Order Now](#) [Get a Quote](#)

Why Layer23-Switch.com

As a leading network hardware supplier, Layer23-Switch.com focuses on original new ICT equipment of Cisco, H3C, Juniper, etc.

200+

Countries we Sold

18,000+

Customers Trusted

\$20,000,000

Inventory Available

50%-98%

Off Global List Price

100%

Safe Online Shopping

Contact Us

- WhatsApp: [+8617181189993](https://wa.me/8617181189993)
- Wechat: [layer23-switch](https://weixin.qq.com/q/layer23-switch)
- Telegram: [layer23_switch](https://t.me/layer23_switch)
- Email: sales@layer23-switch.com

Need Price and Availability for FPR3110-ASA-K9?

View product details, request a quote, or check current stock from Layer23-Switch.

[View Product Details & Request a Quote](#)