

BRAND NEW & VERIFIED



VERIFIED PRODUCT DATASHEET

ISR4431/K9

Cisco Network Hardware Specification, Availability and Quote Reference

Product Model	ISR4431/K9
Document Type	Product Datasheet
Condition	Brand New, Original and Verified
Supplier	Layer23-Switch.com

200+ Countries Sold	18,000+ Customers Trusted	\$20M Inventory Available	1-Year Warranty Support
-------------------------------	-------------------------------------	-------------------------------------	-----------------------------------

Need Price or Availability?

View product details, check stock, or request a fast quotation from Layer23-Switch.

[View Product Page & Request a Quote](#)



ISR4431/K9 Datasheet



The Cisco ISR4431/K9 datasheet provides verified specifications, key features, and application scenarios. This document helps engineers and IT buyers quickly evaluate the ISR4431/K9 and integrate it into enterprise or service provider networks with confidence.

[Read More](#) | [Quote](#)

Key Features

High-Performance Branch Routing

Provides 500 Mbps base throughput, scalable to 1 Gbps with licensing, supporting bandwidth-heavy branch applications, cloud access, and hybrid WAN designs.

Flexible Modularity with 3 NIM Slots

Expands easily with T1/E1, xDSL, LTE, or EtherSwitch NIMs, enabling organizations to tailor WAN, voice, or LAN services to their exact needs.

Integrated Voice and Collaboration Services

Supports PVDM4 DSP modules in the onboard ISC, delivering SRST, conferencing, and transcoding for reliable unified communications.

Secure and Encrypted WAN Edge

Hardware-accelerated VPN, IPSec, and SD-WAN readiness ensure data security and policy-based segmentation across distributed branch networks.

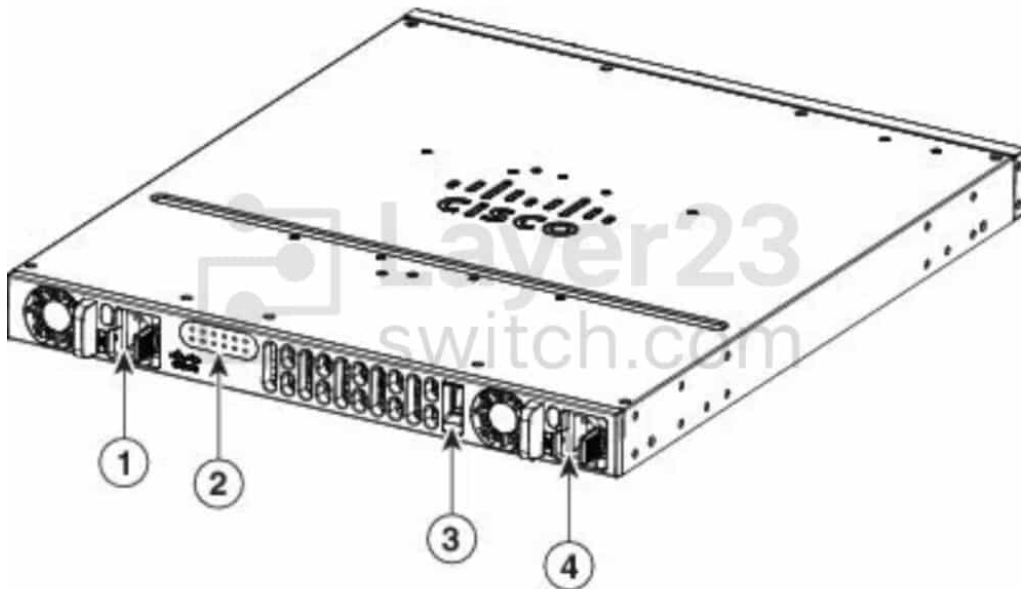
Scalable Memory and Storage

Up to 16 GB DRAM and 32 GB flash allow greater service density, caching, and support for advanced Cisco IOS XE features without compromising performance.

Compact, Reliable, and Energy-Efficient

1RU form factor with integrated cooling, stable operation in enterprise racks, and lower energy use make it efficient for mid-to-large branch environments.

Front View



1	Power supply unit (PSU1)	2	LEDs
3	On/Off switch	4	Optional power supply unit (PSU0)

Specification

Parameter	Specification	Parameter	Specification
Model	ISR4431 (Cisco 4000 Series ISR)	Form Factor	1RU rack-mount
GE Ports	4 × 10/100/1000	10GE Ports	None
NIM Slots	3	SM-X Slots	None
On-board ISC	1 slot for PVDM4 DSPs	USB Ports	2 × USB 2.0 Type-A, 1 × mini-USB console
Console / AUX	RJ-45 console and RJ-45 auxiliary	Operating System	Cisco IOS XE
Default / Max DRAM	4 GB / 16 GB	Default / Max Flash	8 GB / 32 GB
Aggregate Throughput	500 Mbps (base), 1 Gbps (licensed)	Encryption	Hardware-assisted VPN

Parameter	Specification	Parameter	Specification
WAN/LAN via Modules	NIMs for T1/E1, serial, xDSL, LTE, EtherSwitch	SFP Support	100/1000 Mbps SFPs
Power Supply	AC PSU, optional DC	Max PoE Budget	Up to 250 W with PoE PSU
Cooling	Integrated fan system	Operating Temp	0-40 °C
Humidity	5%-85% non-condensing	Altitude	0-10,000 ft
Dimensions (H×W×D)	1.73 × 17.25 × 19.97 in	Weight	~6.2 kg
Compliance	IEC/EN/UL 60950-1/62368-1, CISPR 22/24 Class A	Licensing	Performance, Security, UC, AppX

Want to Buy

[Order Now](#) [Get a Quote](#)

Why Layer23-Switch.com

As a leading network hardware supplier, Layer23-Switch.com focuses on original new ICT equipment of Cisco, H3C, Juniper, etc.

200+ Countries we Sold **18,000+** Customers Trusted **\$20,000,000** Inventory Available **50%-98%** Off Global List Price **100%** Safe Online Shopping

Contact Us

- WhatsApp: [+8617181189993](tel:+8617181189993)
- Wechat: [layer23-switch](https://www.wechat.com/qrcode/index?qr_code=layer23-switch)
- Telegram: [layer23_switch](https://t.me/layer23_switch)
- Email: sales@layer23-switch.com

Need Price and Availability for ISR4431/K9?

View product details, request a quote, or check current stock from Layer23-Switch.

[View Product Details & Request a Quote](#)