

BRAND NEW & VERIFIED



VERIFIED PRODUCT DATASHEET

ISR4451-X/K9

Cisco Network Hardware Specification, Availability and Quote Reference

Product Model	ISR4451-X/K9
Document Type	Product Datasheet
Condition	Brand New, Original and Verified
Supplier	Layer23-Switch.com

200+ Countries Sold	18,000+ Customers Trusted	\$20M Inventory Available	1-Year Warranty Support
-------------------------------	-------------------------------------	-------------------------------------	-----------------------------------

Need Price or Availability?

View product details, check stock, or request a fast quotation from Layer23-Switch.

[View Product Page & Request a Quote](#)



ISR4451-X/K9 Datasheet

The Cisco ISR4451-X/K9 datasheet provides verified specifications, key features, and application scenarios. This document helps engineers and IT buyers quickly evaluate the ISR4451-X/K9 and integrate it into enterprise or service provider networks with confidence.



[Read More](#) | [Quote](#)

Key Features

High-Performance Branch Routing

Supports 1-2 Gbps aggregate throughput, making it suitable for large branch offices and regional hubs that need fast and reliable WAN performance.

Flexible Modular Expansion

Offers 3 NIM slots and 2 SM-X slots, allowing integration of WAN, voice, LTE, storage, or UCS-E compute modules for tailored branch services.

Integrated Voice and Collaboration

Onboard ISC for PVD4 DSP modules provides SRST, conferencing, and transcoding, ensuring voice continuity even during WAN outages.

Advanced WAN Security

Hardware-accelerated VPN and SD-WAN features deliver encrypted tunnels, segmentation, and application visibility for secure and optimized traffic.

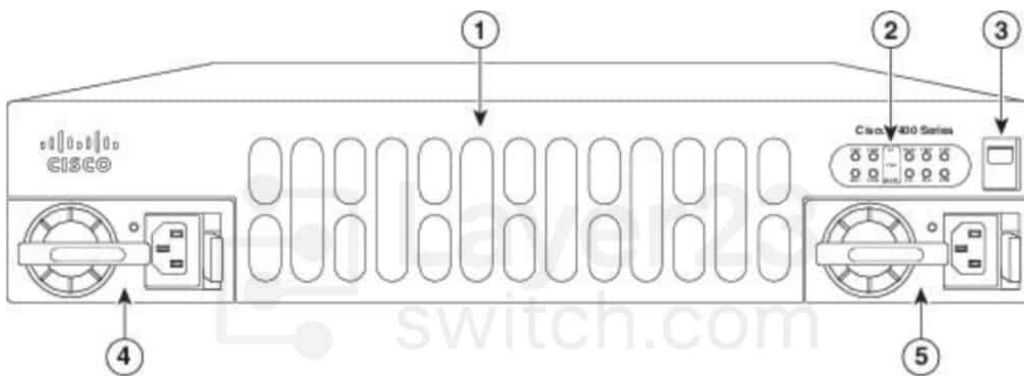
High PoE Capacity

With PoE-capable PSU, the router delivers up to 1000 W of power to IP phones, cameras, and wireless access points, enabling converged branch access.

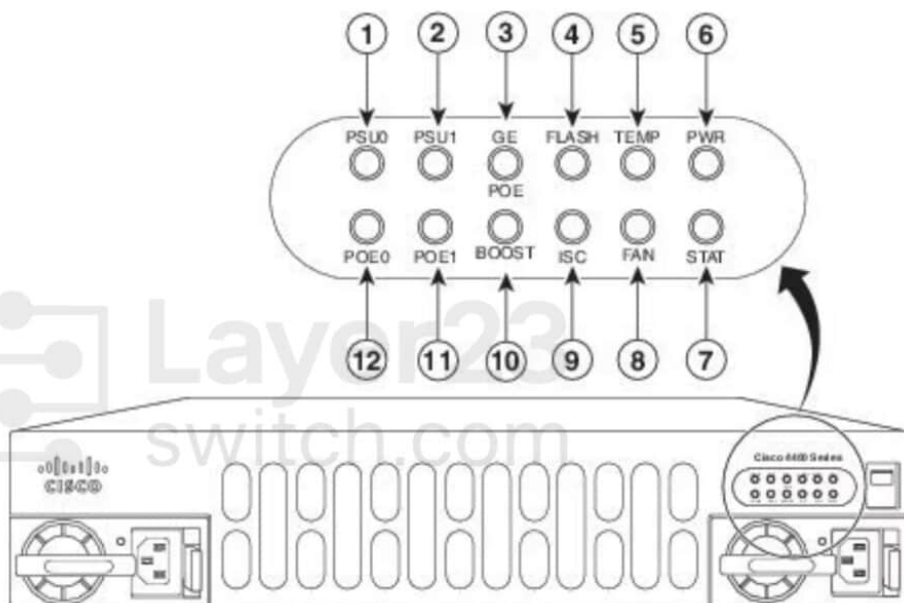
Enterprise-Grade Reliability

Redundant power supply support, robust cooling, and Cisco IOS XE software provide long-term stability and simplified lifecycle management.

Front View



1	Router fan tray (hidden) behind removable bezel	2	LEDs
3	Router power On/Off switch	4	AC power supply unit (PSU0)
5	AC power supply unit (PSU1)		

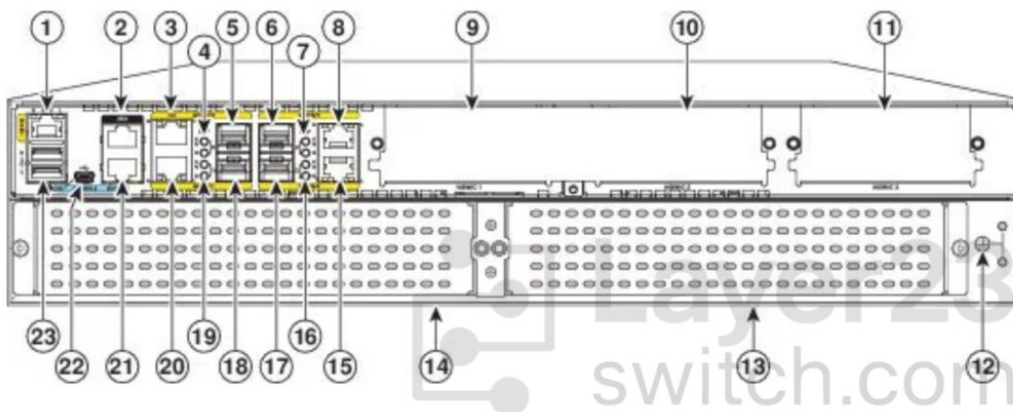


1	PSU0: Power supply unit 1	2	PSU1: Power supply unit 2
3	GE POE: Internal PoE daughter card status	4	FLASH: Compact flash status
5	TEMP: Temperature status	6	PWR: Power
7	STAT: System status	8	FAN: Fan status
9	ISC: Integrated Services Card status	10	POE BOOST: Power over Ethernet boost mode
11	POE 1: Power over Ethernet 1 status	12	POE 0: Power over Ethernet 0 status

Rear View

1	GE 0 management port	2	Auxiliary port
3	RJ-45 Gigabit Ethernet port (GE 0/0/0)	4	LEDs for the GE 0/0/0 interface (See Table 1-1 for detailed LED information)
5	SFP/Gigabit Ethernet port (GE 0/0/0)	6	SFP/Gigabit Ethernet port (GE 0/0/2)
7	LEDs for the GE 0/0/2 interface	8	RJ-45 Gigabit Ethernet port (GE 0/0/2)
9	NIM slot 1 (shown with slot divider removed).	10	NIM slot 2 (shown with slot divider removed).

11	NIM slot 3	12	Ground connection
13	Enhanced Service Module (SM-X) 2	14	Enhanced Service Module (SM-X) 1
15	RJ-45 Gigabit Ethernet port GE 0/0/3	16	LEDs for the GE 0/0/3 interface
17	SFP/Gigabit Ethernet GE 0/0/3	18	SFP Gigabit Ethernet GE 0/0/1
19	LEDs for the GE 0/0/1 interface	20	RJ-45 Gigabit Ethernet port GE 0/0/1
21	Serial console port	22	USB Type B mini port
23	USB 0 and USB 1		



Specification

Parameter	Specification	Parameter	Specification
Model	ISR4451-X (Cisco 4000 Series ISR)	Form Factor	2RU rack-mount
GE Ports	4 × 10/100/1000 (RJ-45/SFP mix)	10GE Ports	2 × 10GE SFP+
NIM Slots	3	SM-X Slots	2 (1 double-wide)
On-board ISC	1 slot for PVDM4 DSPs	USB Ports	2 × USB 2.0 Type-A, 1 × mini-USB console

Parameter	Specification	Parameter	Specification
Console / AUX	RJ-45 console and RJ-45 auxiliary	Operating System	Cisco IOS XE
DRAM Default / Max	8 GB / 32 GB	Flash Default / Max	8 GB / 32 GB
Aggregate Throughput	1 Gbps base, 2 Gbps licensed	Encryption	Hardware-assisted VPN and SD-WAN
WAN/LAN via Modules	NIMs for Serial, T1/E1 PRI, xDSL, LTE, EtherSwitch	SFP Support	1000 Mbps and 10G optics supported
Power Supply	AC/DC options, redundant PSU supported	Max PoE Budget	Up to 1000 W with PoE PSU boost
Cooling	Integrated fan system	Operating Temp	0-40 °C
Humidity	5%-85% non-condensing	Altitude	0-10,000 ft
Dimensions (H×W×D)	3.5 × 17.25 × 18.5 in (88.9 × 438 × 470 mm)	Weight	~13 kg
Compliance	IEC/EN/UL 60950-1/62368-1, CISPR 22/24 Class A	Licensing	Performance, Security, UC, AppX

Want to Buy

[Order Now](#) [Get a Quote](#)

Why Layer23-Switch.com

As a leading network hardware supplier, Layer23-Switch.com focuses on original new ICT equipment of Cisco, H3C, Juniper, etc.

200+ Countries we Sold
18,000+ Customers Trusted
\$20,000,000 Inventory Available
50%-98% Off Global List Price
100% Safe Online Shopping

Contact Us

- WhatsApp: [+8617181189993](https://wa.me/+8617181189993)
- Wechat: [layer23-switch](https://www.wechat.com/qrcode/business?business_qr_code=layer23-switch)
- Telegram: [layer23_switch](https://t.me/layer23_switch)
- Email: sales@layer23-switch.com

Need Price and Availability for ISR4451-X/K9?

View product details, request a quote, or check current stock from Layer23-Switch.

[View Product Details & Request a Quote](#)