

BRAND NEW & VERIFIED



VERIFIED PRODUCT DATASHEET

ISR4461/K9

Cisco Network Hardware Specification, Availability and Quote Reference

Product Model	ISR4461/K9
Document Type	Product Datasheet
Condition	Brand New, Original and Verifieded
Supplier	Layer23-Switch.com

200+ Countries Sold	18,000+ Customers Trusted	\$20M Inventory Available	1-Year Warranty Support
-------------------------------	-------------------------------------	-------------------------------------	-----------------------------------

Need Price or Availability?

View product details, check stock, or request a fast quotation from Layer23-Switch.

[View Product Page & Request a Quote](#)



ISR4461/K9 Datasheet



The Cisco ISR4461/K9 datasheet provides verified specifications, key features, and application scenarios. This document helps engineers and IT buyers quickly evaluate the ISR4461/K9 and integrate it into enterprise or service provider networks with confidence.

[Read More](#) | [Quote](#)

Key Features

High-Capacity Branch and Hub Routing

Provides 1.5-3 Gbps aggregate throughput, enabling large branch offices, regional hubs, and campus edges to consolidate high-volume WAN traffic with ease.

Extensive Modularity for Service Integration

With 3 NIM slots and 3 SM-X slots, the ISR4461 supports WAN, security, UCS-E compute, and EtherSwitch modules, allowing enterprises to deploy tailored services on a single platform.

Advanced Collaboration and Voice Readiness

Integrated ISC slot for PVD4 DSPs delivers SRST, conferencing, and secure transcoding, making the router a reliable UC gateway for distributed organizations.

Enhanced Security and SD-WAN Capabilities

Hardware-accelerated VPN, IPSec, and Cisco SD-WAN functions provide encrypted tunnels, application visibility, and policy-based traffic control.

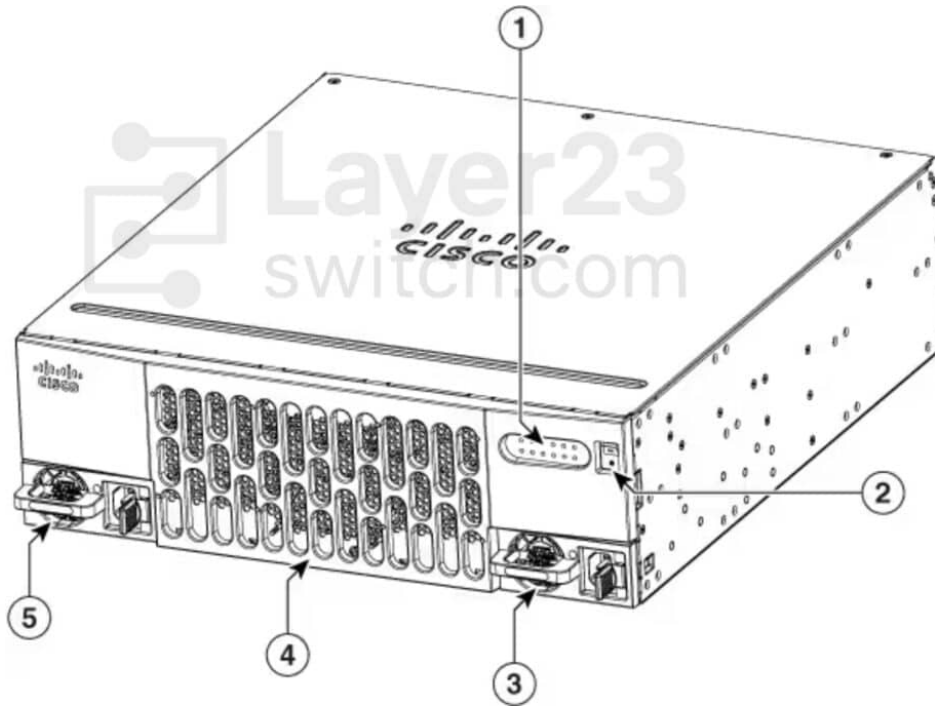
High PoE Capacity for Converged Access

Supports up to 1450 W PoE with a PoE PSU boost, powering large numbers of IP phones, access points, or surveillance devices directly from the chassis.

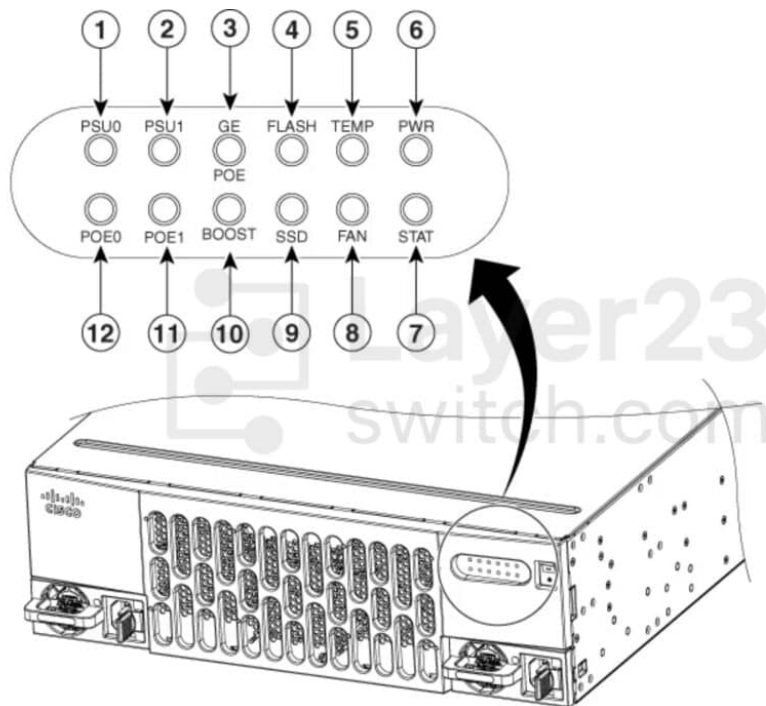
Enterprise Reliability and Scale

Redundant PSU options, field-replaceable modules, advanced IOS XE software, and extensive memory (up to 32 GB DRAM) ensure long-term stability and scalability for mission-critical deployments.

Front View



1	LED	2	Router power On/Off switch
3	Power supply unit (PSU1)	4	Router fan tray (hidden) behind removable bezel
5	Optional power supply unit (PSU0)		

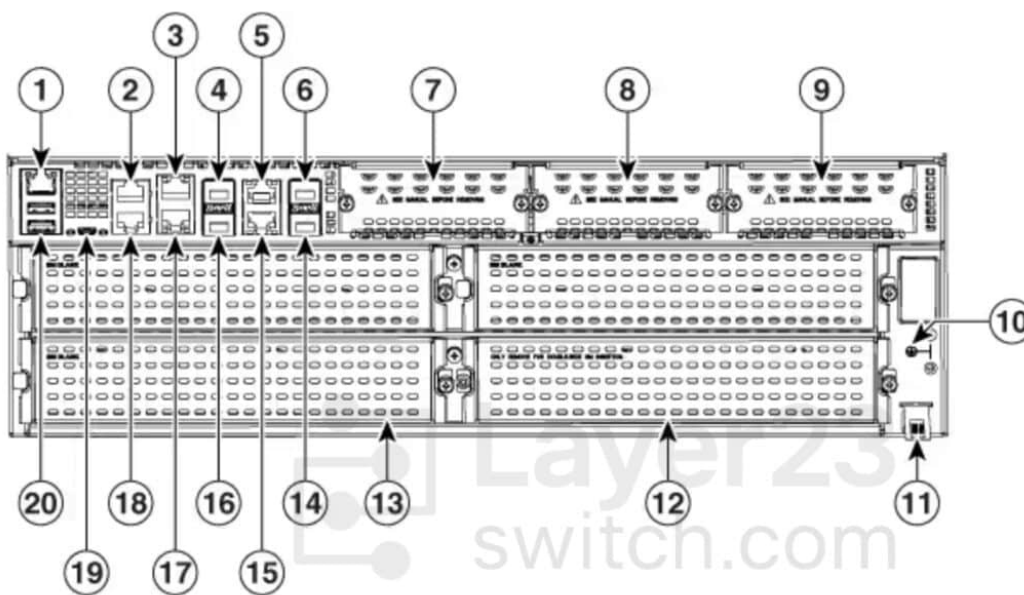


1	PSU0: Power supply unit 0	2	PSU1: Power supply unit 1
3	GE POE: Internal PoE daughter card status	4	FLASH: Compact flash status
5	TEMP: Temperature status	6	PWR: Power
7	STAT: System status	8	FAN: Fan status
9	M.2 SSD status	10	POE BOOST: Power over Ethernet boost mode
11	POE 1: Power over Ethernet 1status	12	POE 0: Power over Ethernet 0 status

Rear View

1	GE 0 management port	2	Auxiliary port
3	RJ-45 Gigabit Ethernet port (GE 0/0/0)	4	SFP/Gigabit Ethernet port (GE 0/0/0)
5	RJ-45 Gigabit Ethernet port (GE 0/0/2)	6	SFP+/10 Gigabit Ethernet port (TE 0/0/4)
7	NIM slot 1 (shown with slot divider removed).	8	NIM slot 2 (shown with slot divider removed).
9	NIM slot 3 (shown with slot divider removed).	10	Ground Connection

11	Slot for label	12	Enhanced Service Module (SM-X) with double wide
13	Enhanced Service Module (SM-X) 3	14	SFP+/10 Gigabit Ethernet port (TE0/0/5)
15	RJ-45 Gigabit Ethernet port (GE 0/0/3)	16	SFP/Gigabit Ethernet port (GE 0/0/1)
17	RJ-45 Gigabit Ethernet GE 0/0/1	18	Console Port
19	USB Console Port	20	USB Port



Specification

Parameter	Specification	Parameter	Specification
Model	ISR4461 (Cisco 4000 Series ISR)	Form Factor	3RU rack-mount
GE Ports	4 × 10/100/1000 (RJ-45/SFP mix)	10GE Ports	2 × 10GE SFP+
NIM Slots	3	SM-X Slots	3
On-board ISC	1 slot for PVDM4 DSPs	USB Ports	2 × USB 2.0 Type-A, 1 × mini-USB console
Console / AUX	RJ-45 console and RJ-45 auxiliary	Operating System	Cisco IOS XE
Default / Max DRAM	8 GB / 32 GB	Default / Max Flash	8 GB / 32 GB

Parameter	Specification	Parameter	Specification
Aggregate Throughput	1.5 Gbps base, 3 Gbps licensed	Encryption	Hardware-accelerated VPN, SD-WAN
WAN/LAN via Modules	NIMs for Serial, T1/E1 PRI, xDSL, LTE, EtherSwitch	SFP Support	1G and 10G optics supported
Power Supply	AC/DC redundant PSU options	Max PoE Budget	Up to 1450 W with PoE PSU boost
Cooling	Integrated fan system	Operating Temp	0-40 °C
Humidity	5%-85% non-condensing	Altitude	0-10,000 ft
Dimensions (HxWxD)	5.25 x 17.25 x 18.5 in (133 x 438 x 470 mm)	Weight	~14 kg
Compliance	IEC/EN/UL 60950-1/62368-1, CISPR 22/24 Class A	Licensing	Performance, Security, UC, AppX

Want to Buy

[Order Now](#) [Get a Quote](#)

Why Layer23-Switch.com

As a leading network hardware supplier, Layer23-Switch.com focuses on original new ICT equipment of Cisco, H3C, Juniper, etc.

200+ Countries we Sold
18,000+ Customers Trusted
\$20,000,000 Inventory Available
50%-98% Off Global List Price
100% Safe Online Shopping

Contact Us

- WhatsApp: [+8617181189993](https://wa.me/+8617181189993)
- Wechat: [layer23-switch](https://weixin.qq.com/q/layer23-switch)
- Telegram: [layer23_switch](https://t.me/layer23_switch)
- Email: sales@layer23-switch.com

Need Price and Availability for ISR4461/K9?

View product details, request a quote, or check current stock from Layer23-Switch.

[View Product Details & Request a Quote](#)