

BRAND NEW & VERIFIED



VERIFIED PRODUCT DATASHEET

N9K-C9364C

Cisco Network Hardware Specification, Availability and Quote Reference

Product Model	N9K-C9364C
Document Type	Product Datasheet
Condition	Brand New, Original and Verifieded
Supplier	Layer23-Switch.com

200+ Countries Sold	18,000+ Customers Trusted	\$20M Inventory Available	1-Year Warranty Support
-------------------------------	-------------------------------------	-------------------------------------	-----------------------------------

Need Price or Availability?

View product details, check stock, or request a fast quotation from Layer23-Switch.

View Product Page & Request a Quote



N9K-C9364C Datasheet



The Cisco N9K-C9364C datasheet provides verified specifications, key features, and application scenarios. This document helps engineers and IT buyers quickly evaluate the N9K-C9364C and integrate it into enterprise or service provider networks with confidence.

[Read More](#) | [Quote](#)

Key Features

Ultra-dense 100G spine for leaf-spine scale

64 × QSFP28 at 40/100G in 2RU enables compact, power-efficient spines for medium-to-large VXLAN EVPN or ACI fabrics.

Consistent security for core links

Wire-rate MACsec on the last 16 QSFP28 ports secures leaf-to-spine or border-to-spine uplinks without throughput penalties.

Deterministic high throughput and low jitter

12.84 Tbps, 4.3 bpps and 40 MB shared buffers keep queues shallow under fan-in bursts common to east-west traffic.

Operations made simple

No breakout plus front/back airflow options, hot-swappable PSUs/fans, and dual OOB management streamline deployment and serviceability.

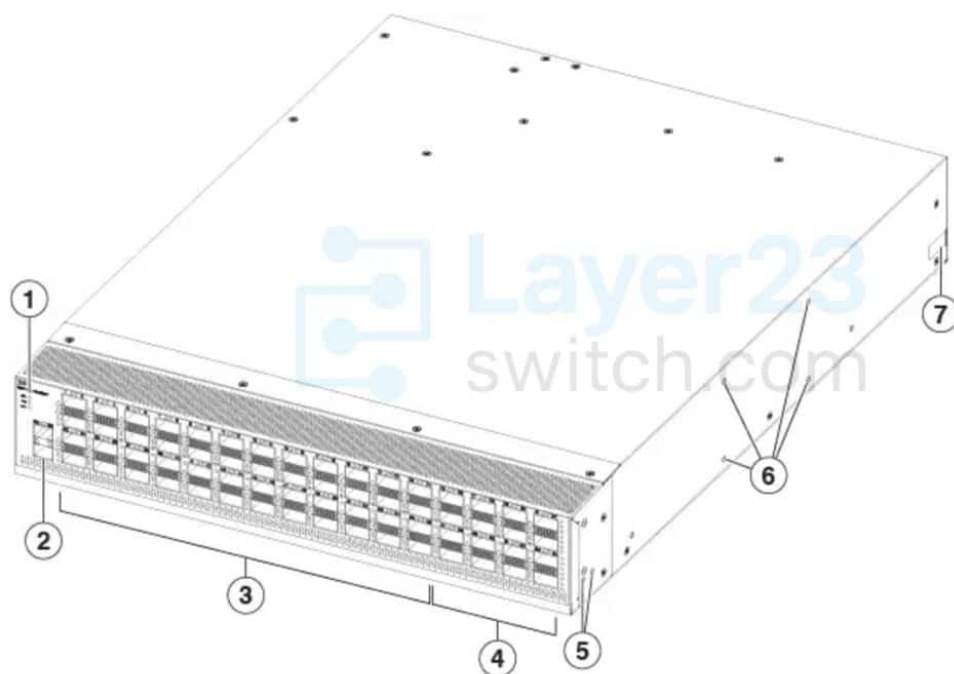
Programmable and fabric-agnostic

Runs NX-OS or ACI; integrates with model-driven telemetry and modern automation stacks to standardize Day-0 to Day-N workflows.

Efficient power profile for dense cores

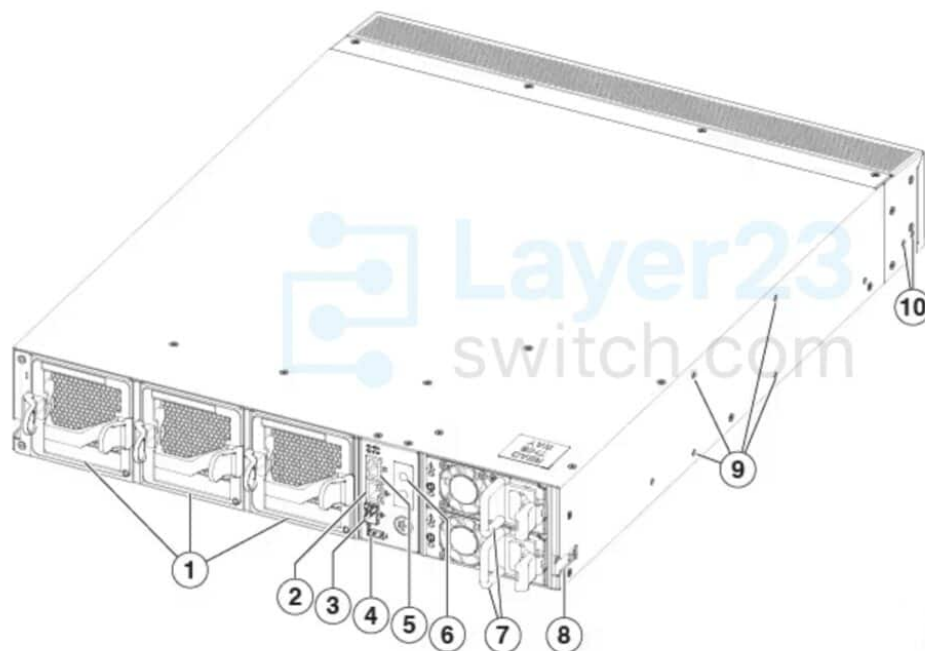
Typical 429 W (AC) with high-efficiency PSU choices (AC, DC, HVAC/HVDC) reduces TCO across multi-chassis spines.

Nexus N9K-C9364C Front Panel



1	Beacon (BCN), Status (STS), and Environment (ENV) LEDs	5	Screw holes for front mounting brackets (four-post rack installations)
2	1-/10-Gigabit SFP+ ports (2)	6	Screw holes for center-mount bracket (two-post rack installations)
3	40-/100-Gigabit QSFP28 ports (ports 1 to 48 in 4 rows of 12 ports)	7	Notch on both sides of the chassis for locking the power supply end of the chassis to the bottom support rails (four-post rack installations).
4	Green colored 40-/100-Gigabit QSFP28 ports supporting MACsec (when software support is available) (ports 49 to 64 in 4 rows of 4 ports)		

Nexus N9K-C9364C Rear Panel



1	Fan modules (3) with slots numbered from 1 (left) to 3 (right)	6	Grounding pad
2	Management port (1—RJ-45 copper port)	7	Power supply modules (1 or 2) (AC power supplies shown) with slots numbered 1 (top) and 2 (bottom)
3	Management port (1—SFP optical port)	8	Notch on both sides of the chassis for locking the power supply end of the chassis to the bottom support rails (four-post rack installations).
4	USB port (1)	9	Screw holes for center-mount bracket (two-post rack installations)
5	Console port (1)	10	Screw holes for front mounting brackets (four-post rack installations)

Specification

Parameter	Specification	Parameter	Specification
Model	N9K-C9364C (Nexus 9300 Series)	Product type	Fixed 100G data center switch (leaf/spine capable)
Front-panel ports	64 × QSFP28 (100G/40G)	Breakout options	100G→4×25G; 40G→4×10G (fiber/DAC where supported)

Parameter	Specification	Parameter	Specification
Supported optics	Cisco QSFP28/QSFP+ transceivers; AOC/DAC (Cisco-qualified)	Max 25G fan-out	Up to 256 × 25G via breakout (design-dependent)
Operating system	NX-OS; ACI mode capable (leaf/spine role)	Overlay	VXLAN EVPN (L2/L3), Anycast Gateway
L3 features	OSPF, BGP, IS-IS, uRPF, PBR, Multicast (PIM/IGMP/MLD)	Telemetry	Streaming telemetry, ERSPAN, sFlow/NetFlow (IPFIX)
Timing	IEEE 1588v2 PTP, SyncE (profile dependent)	Security	CoPP, uACLs, 802.1X; MACsec on select ports (license/SKU dependent)
QoS & buffers	PFC, ECN, DWRR, per-queue shaping/policing	Automation	NX-API/REST, gNMI, Python on-box, Ansible
Management interfaces	1 × OOB 10/100/1000 RJ-45 mgmt port; USB/RJ-45 console	Storage/CPU	On-box SSD/eMMC; multi-core CPU (platform specific)
Chassis	2RU fixed chassis; standard 19-inch rack mount	Airflow	Front-to-Back or Back-to-Front (SKU: -B / -F)
Power	Dual hot-swappable PSUs (AC 100-240 VAC or -48 VDC options)	Cooling	N+1 hot-swappable fan trays
Throughput/latency	Line-rate on all ports; low-microsecond class latency	Environment	Typical operation 0°C–40°C; 5%–95% RH non-condensing
Licensing (NX-OS)	Essentials / Advantage feature tiers	Use cases	Leaf/spine for 25/100G fabrics; high-density 10/25G via breakout
Compliance	RoHS/REACH; regional safety & EMC certifications	Ordering PID	N9K-C9364C

Want to Buy

[Order Now](#) [Get a Quote](#)

Why Layer23-Switch.com

As a leading network hardware supplier, Layer23-Switch.com focuses on original new ICT equipment of Cisco, H3C, Juniper, etc.

200+

Countries we Sold

18,000+

Customers Trusted

\$20,000,000

Inventory Available

50%-98%

Off Global List Price

100%

Safe Online Shopping

Contact Us

- WhatsApp: [+8617181189993](https://wa.me/8617181189993)
- Wechat: [layer23-switch](#)
- Telegram: [layer23_switch](#)
- Email: sales@layer23-switch.com

Need Price and Availability for N9K-C9364C?

View product details, request a quote, or check current stock from Layer23-Switch.

[View Product Details & Request a Quote](#)